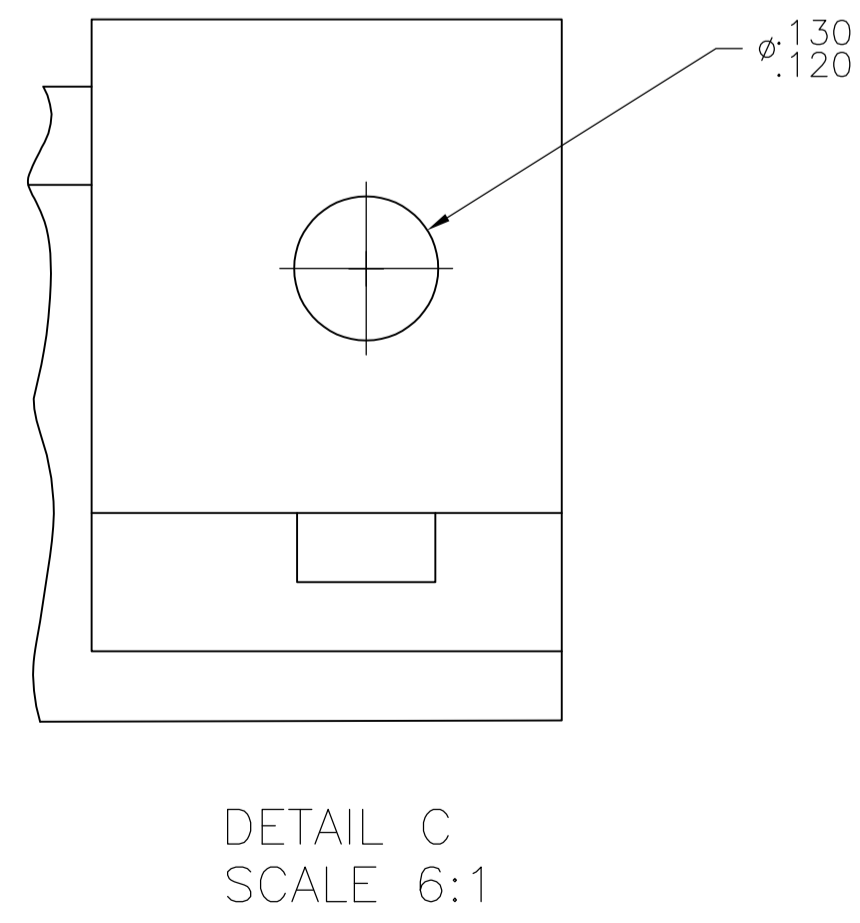
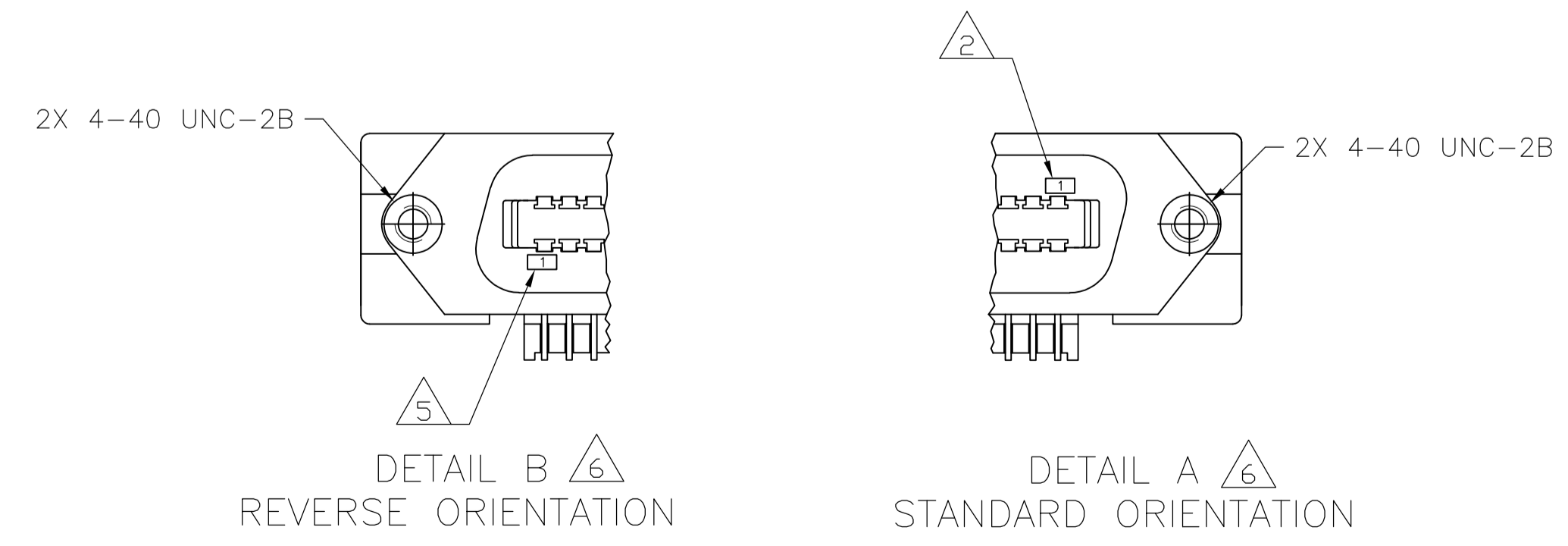
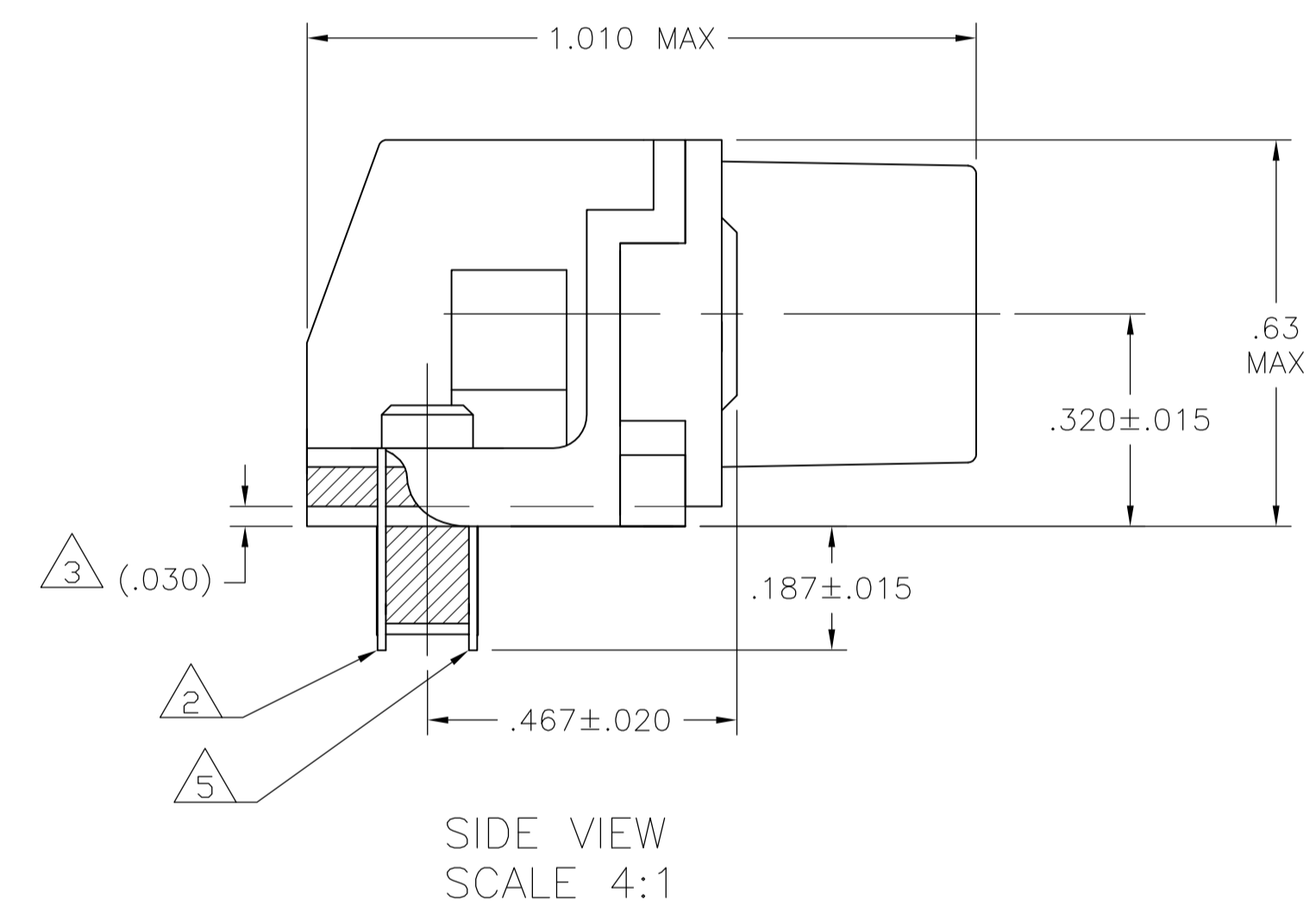
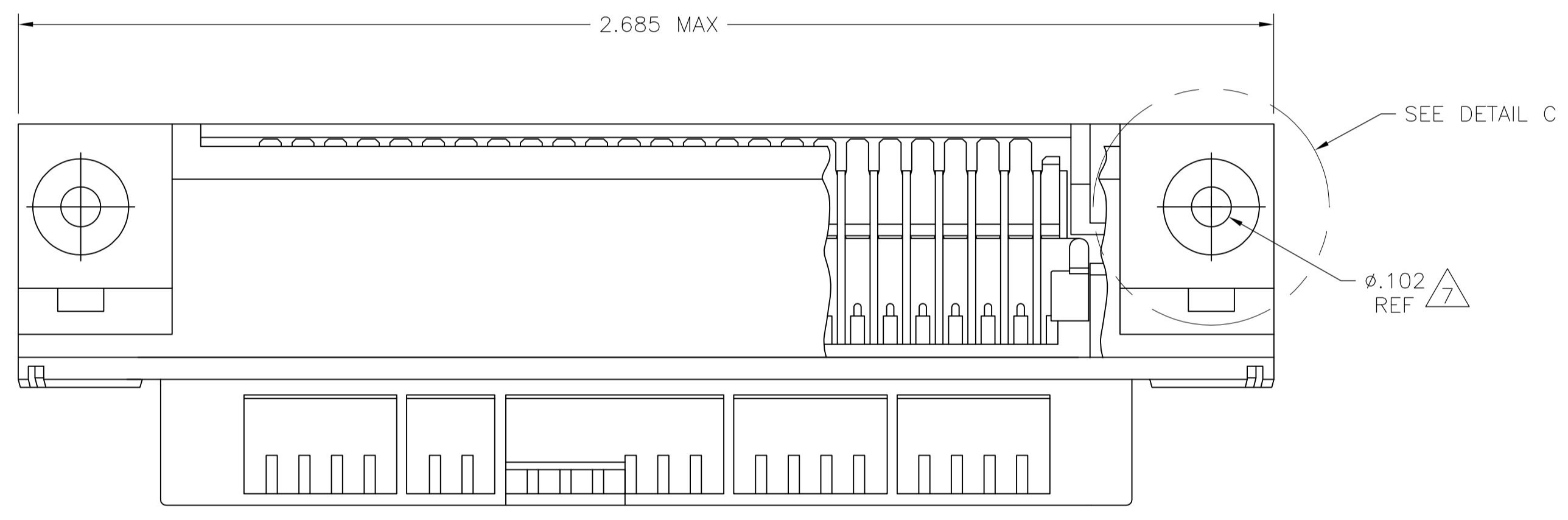


- $\Delta 1$ MATERIAL:
HOUSING, BRACKET, ADAPTER COMB & PLATE - THERMOPLASTIC, BLACK, 94V-0 RATED
TERMINALS - HIGH STRENGTH COPPER ALLOY PLATED WITH EITHER .000030 MIN
GOLD PLATE OR GOLD FLASH OVER PALLADIUM NICKEL PLATE .000030 MIN TOTAL
ON MATING SURFACE. .000120 MIN TIN-LEAD PLATE ON TAILS. ALL OVER
.000050 MIN NICKEL UNDERPLATE OVER ENTIRE TERMINAL.
- $\Delta 2$ TERMINAL 1 IS LOCATED IN THIS ROW FOR 552742-1 & -3.
- $\Delta 3$ TERMINAL SUPPORT PLATE CLEARANCE FOR TERMINAL STRAIN RELIEF AND FLUX REMOVAL.
- $\Delta 4$ PANEL THICKNESS RANGE: .062 MAX.
- $\Delta 5$ TERMINAL 1 IS LOCATED IN THIS ROW FOR 552742-2.
- $\Delta 6$ DETAILS A & B ARE VIEWED FROM MATING SIDE OF RECEPTACLE ASSEMBLY.
- $\Delta 7$ FOR USE WITH A NO. 4 BT TYPE SELF TAPPING SCREW.



THRU BOLT SEE DETAIL C	SEE DETAIL A $\Delta 2$	552742-3
OBSOLETE	SELF-TAPPING $\Delta 7$	SEE DETAIL B $\Delta 5$
	SELF-TAPPING $\Delta 7$	SEE DETAIL A $\Delta 2$
		552742-1
TYPE OF MOUNTING	DESCRIPTION	PART NUMBER

THIS DRAWING IS A CONTROLLED DOCUMENT.		DIN Z. REAM 2/APR/07	Tyco Electronics Corporation Harrisburg, PA 17105-3608	
DIMENSIONS: INCHES	TOLERANCES UNLESS OTHERWISE SPECIFIED:	CHK: W. MILLHIMES 2/APR/07	NAME	ASSEMBLY RECEPTACLE, 36 POSITION, RIGHT ANGLE, PRINTED CIRCUIT BOARD (CHAMP-LOK, THRU-BOLT & SELF-TAPPING)
ϕ	0 PLC ± -	APVD: W. MILLHIMES 2/APR/07	PRODUCT SPEC	
	1 PLC ± -	APPLICATION SPEC	SIZE	A1
	2 PLC ± -	WEIGHT	CAGE CODE	00779
	3 PLC ± -		DRAWING NO	552742
	4 PLC ± -		RESTRICTED TO	
	ANGLES ± -		CUSTOMER DRAWING	
MATERIAL $\Delta 1$	FINISH $\Delta 1$	SCALE	2:1	SHEET 1 of 1 REV T